

## Hardware/Quincaillerie



**A**  
6x



**B**  
6x



**C**  
6x



**D**  
6x



**E**  
12x



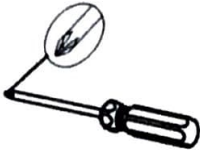
**F**  
4x



**N**  
4x

## Tools Required/Outils requis

Power tools NOT recommended/Utilisation d'outils électriques NON recommandée



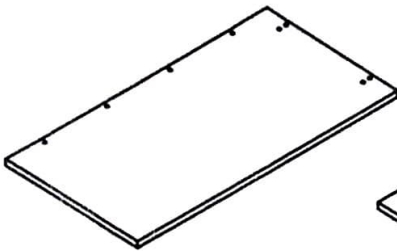
(not included/pas inclus)



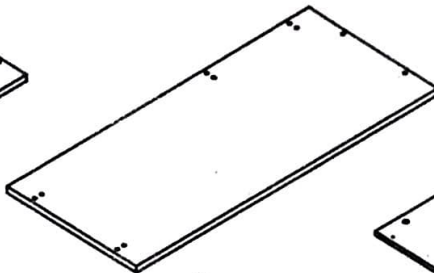
(not included/pas inclus)



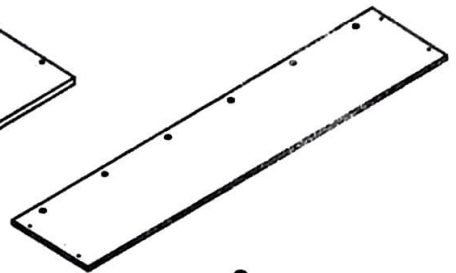
## Components/Composantes



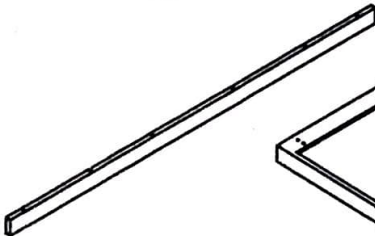
**1**  
1x



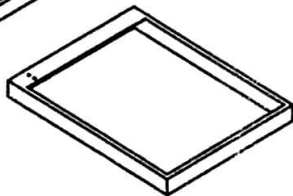
**2**  
1x



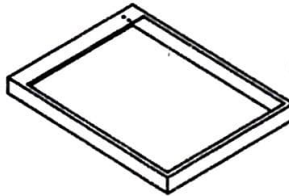
**3**  
1x



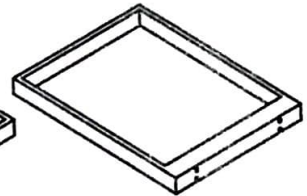
**4**  
1x



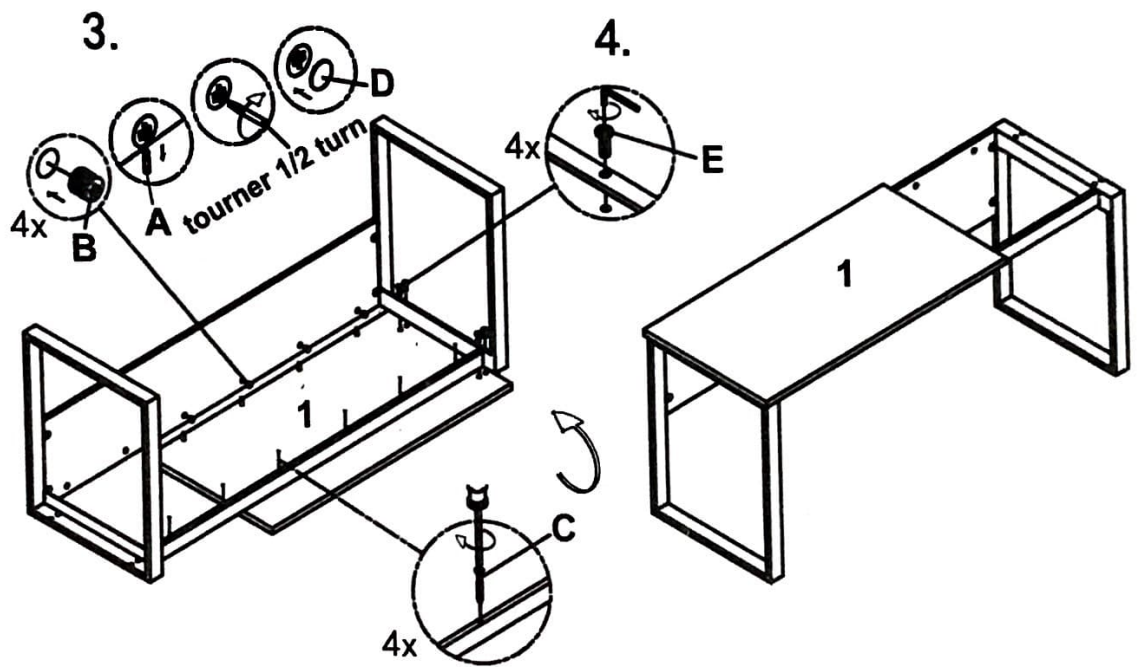
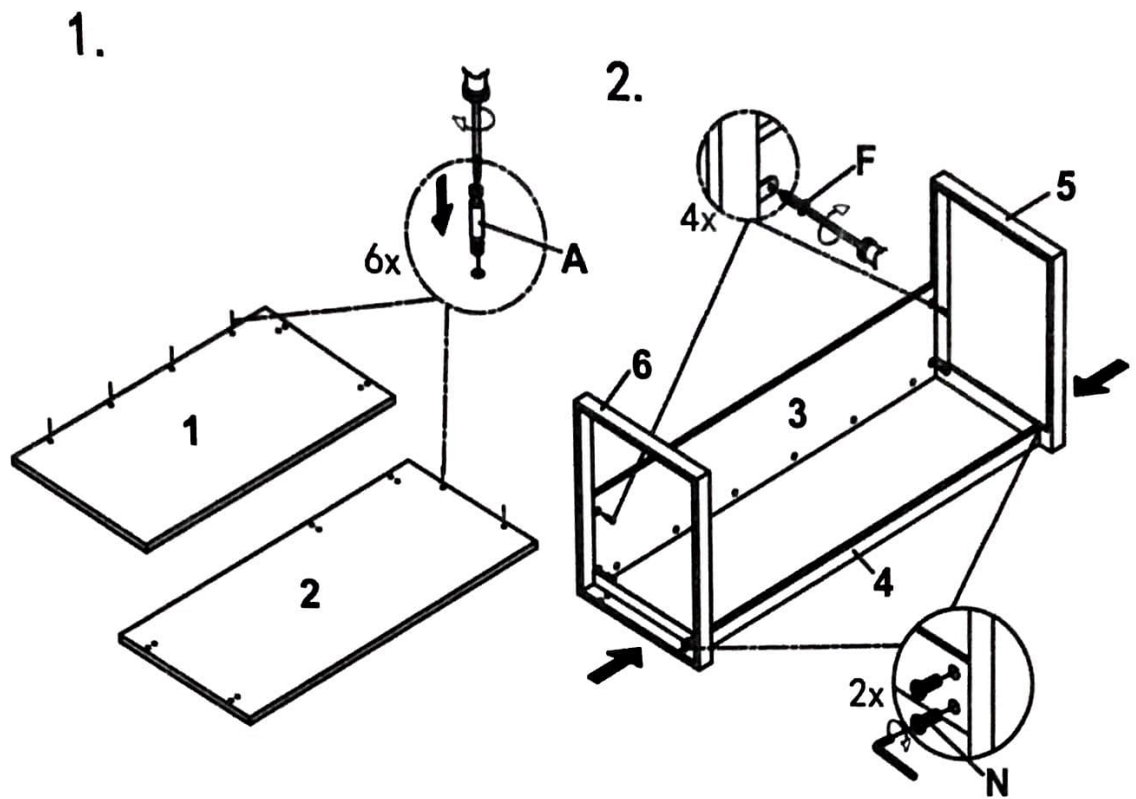
**5**  
1x



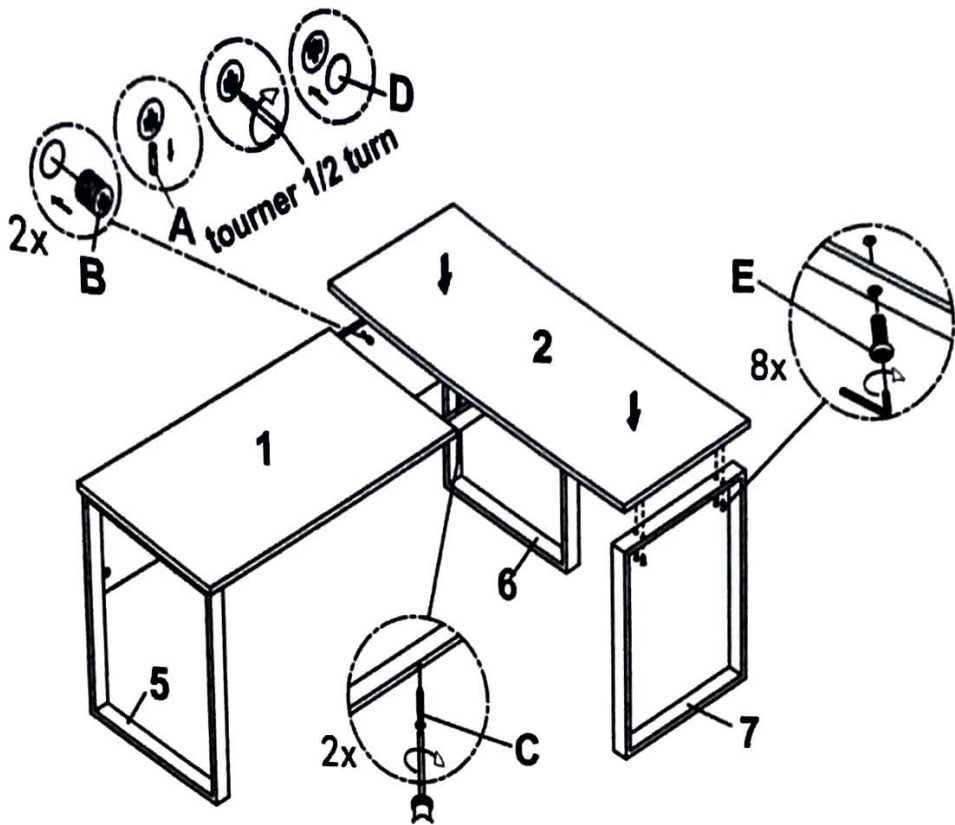
**6**  
1x



**7**  
1x



5.



6.

